



AlarmView+ Guardian+

Quick Start Guide

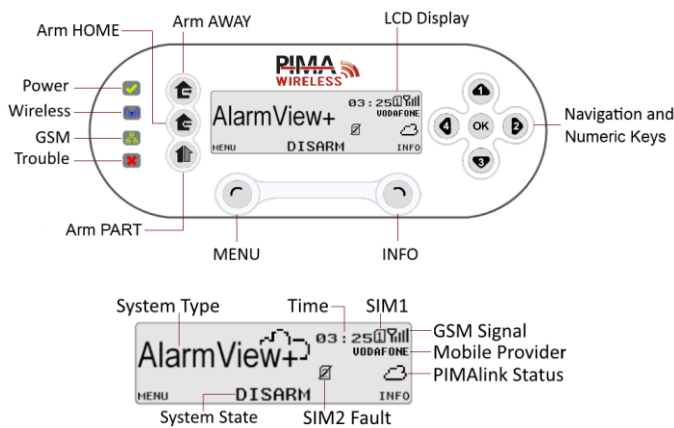
Introduction

This guide will help you to get the AlarmView+ and Guardian+ intruder alarm systems up and running, quickly and efficiently.

We remind you that the alarm systems are supplied with pre-programmed common settings and pre-enrolled detectors.

To access the Installer menu, press the Menu key (see below) and enter the installer code (default: 1234). Do the same with the Master code to enter the user menu (default: 1111).

The Control Panel



The keys

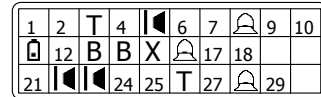
Key	Function	Key	Function
	Arm Away		Confirm/Enter
	Arm Home		Scroll up/characters: A-Z, 0-9, #+,@-./space_!
	Arm Part		Scroll right/duplicate previous character
	Access menus/Select/Insert		Scroll down/characters: A-Z, 0-9, #+,@-./space_!
	System's status/Cancel/Delete		Scroll left/Exit/Back

The LEDs

LED	Color & Status	Description
	GREEN, On	Power OK
	BLUE, blinking	Wireless communication OK
	GREEN, blinking Off	Cellular reception OK No cellular reception
	ORANGE, 3 blinks	Event in process
	RED	System trouble. See the screen for details (except supervision loss).

LED	Color & Status	Description
	WHITE, blinking	ALARM! Enter the event log to stop the blinking

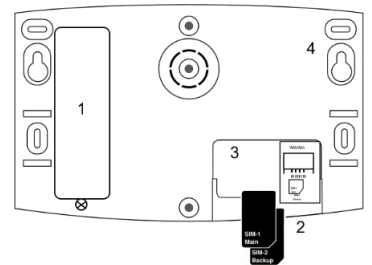
The INFO screen



Icon	Description	Icon	Description
	1-30 Normally active zone		Blank Undefined zone
	B Bypassed zone		T Zone tamper open
	X Supervision loss		GSM network error
	Open zone		AC loss
	Alarm (now or before)		Low battery
	PIMAlink connection OK		Battery disconnected
	PIMAlink connection loss		GSM reception level
	Transmission of message		GPRS transmission

Power-up and mounting

- Unscrew and remove the cover of the battery compartment, connect the battery wires and close the cover.
- Remove the plastic protector of the connectors' cavity and insert the SIM card(s) to the appropriate slot(s) - SIM 1 in the upper socket.
- Plug the AC adapter into its socket, to the left of the SIM card holder. Do not connect the AC adapter to power before connecting it to the control panel.
- Connect the AC adapter to power. Ensure good reception of the wireless and GSM communications.
- Mount the control panel where there is optimum wireless reception from the detectors and peripherals, near mains power supply, preferably near the main access point of the premises. Make sure to leave at least 1 m from large metallic objects and Wi-Fi or other transmitters.





Only qualified Installer should install this professional product.

PIR-S/P Motion Detectors

The PIR-S and PIR-P (pet immune) detectors have a detection range of 12 m, 110° wide, when mounted 2 m above ground. Place the detectors on a flat surface, away from heat sources, not above windows and doors. For the PIR-P, install it where animals can move at least 1 m away from it. Both detectors are powered by a 3.6 V AA Lithium battery.



To install, release the bottom screw and remove the back cover, remove the surface knockouts, drill matching holes in the surface (skip this step with plaster/wood walls) and insert the supplied wall plugs. Fasten the detector with the supplied screws into the wall plugs, close the cover and fasten the screw. Use the corner bracket when necessary.

To enroll the detectors, enter the installer code and select *Programming* → *Zones/Peripherals* → *Zones* → *Zone X* → *Device ID* → *Learn* and push the detector's (front) button.



Wireless detectors enter a one minute sleep mode after transmitting a detected movement, to save battery life. Every further movement during this time will extend sleep time by one more minute.

SmartView PIR/Camera

The SmartView combines a PIR motion detector with a VGA CMOS high quality color camera. When mounted at 2.4 m height the camera's detection range is 7 m. See the PIR-P above for placement recommendations.



To install, remove the cradle by releasing its screw, remove the back cover and insert the supplied battery correctly. Close the cover. Drill holes for surface or corner mounting (skip this step with plaster/wood walls), insert wall plugs and fasten the cradle to the surface with screws. Then mount the detector and fasten its screw, after adjusting the direction of the detector.

To enroll the detectors, enter the installer code and select *Programming* → *Zones/Peripherals* → *Visual Zones* → *Zone X* → *Device ID* and type the serial no., which is labeled on the detector.

OutView Outdoor Camera

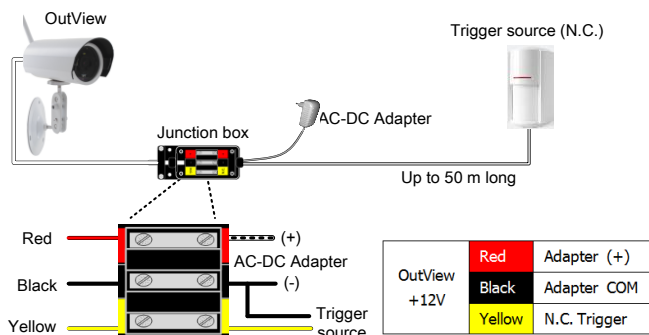
The OutView is a high quality, still image camera for outdoor use. It can be triggered by PIR detectors, relays, etc. (N.C.). The OutView flash covers up to 7 m.

When placing the camera make sure to connect the AC adapter (12 VDC 2A, AC-DC) close to the camera, indoors (protected from water), and that the trigger source will not be more than 50 m away from the camera.



Mount the camera on a solid flat surface. Do not place it where rain and snow will hit the lens directly. Do not point the camera towards a light source. Do not have the camera in a shaded area looking out into a well-lit area.

To mount, drill three holes matching those on the mounting surface, insert wall plugs and mount the bracket using screws. Connect the camera's cable to the terminal block and to power (see the diagram below).



PIR-O Outdoor Motion Detector

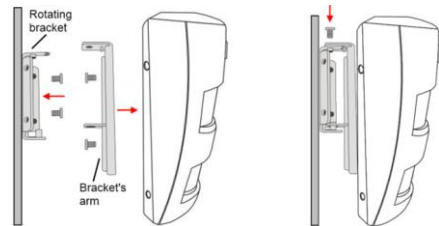
The PIR-O is a dual-lens, pet-immune detector designed for outdoor installations and powered by two 3.6 V AA Lithium batteries. It has a detection range of 1 to 11 m, when mounted at 2.3 m height.



A dip switch on its PCB board is used for setting different installation locations and functions of the detector. The complete settings list can be found in the peripherals guide (P/N 4410399).

To mount the PIR-O on a flat surface, disassemble the detector from the bracket, drill holes matching those on the rotating bracket (see the diagram below), insert wall plugs (skip this step with plaster/wood walls) and fasten the bracket with the flat side facing the wall. Fasten the bracket's arm to the base cover with the pointy ends facing away from the detector and hinge on top, and fit the PIR-O onto the hooks of the rotating bracket. Finally, adjust the detecting angle.

To enroll the detector, see the PIR-S/P section.



DCM Magnetic Door Contact

The DCM is a door contact and a universal transmitter with a tamper. It sends regular supervision signals. The DCM is powered by a 3.6 V 1/2 AA Lithium battery.



Mount the magnet on doors' or windows' frames, up to 30 mm away from the main unit.

To install the DCM, either release the cover screw, remove the cover, remove the knockouts and fasten the backplate to the surface, using the supplied screws, or use the adhesive pads. To use the universal transmitter see the peripherals guide (P/N 4410399).

To enroll the detector, see the PIR-S/P section.

KF-1/KF-2 Key fobs

One-way and two-way arm/disarm keyfobs. Powered by CR2032 Lithium battery.



To enroll the keyfobs, enter the installer code and select *Programming* → *Zones/Peripherals* → *Keyfobs/Keypads* → *Keyfob/Keypad X* → *Device ID* → *Learn* and press one of the buttons.

SIR-B/R/O External Siren

The wireless siren/strobe produces a minimum of 104 dBA sound pressure, at 1 m. It is powered by four Alkaline D batteries and is IP43 water & UV proof.



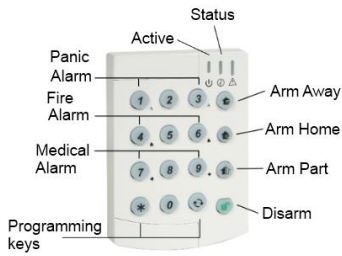
To install, remove the cover, slide the power switch to the ON position, remove the four battery compartment's cover screws and insert the batteries. Replace the cover and fasten the screws gently.

To enroll the siren: enter the installer code and select *Programming* → *Zones/Peripherals* → *External Siren* → *Device ID*. Enter the labeled serial number and press OK. To test the siren select *Service* → *Tests* → *External Siren test* → *Test*

Mount the siren on a flat surface, using the supplied wall plugs and screws and close the cover.

RWK Remote Keypad

The RWK is a two-way wireless keypad for arming & disarming. It is powered by one CR2450 Lithium battery, and is IP41 water resistance.



To mount the keypad on a flat surface, open the unit and insert the supplied battery. Remove the two covers (top and bottom) using a screwdriver and drill holes for mounting the keyboard (skip this step with plaster/wood walls).

To enroll the keypad, enter the installer code and select *Programming* → *Zones/Peripherals* → *Keyfobs/Keypads* → *Keyfob/Keypad X* → *Device ID*. Press any button of the keypad and when detected by the control panel, press OK.

How to pair to the PIMAlink App

To pair the control panel with PIMAlink:

1. Access the user menu and select *Service* → *PIMAlink*.
2. Press *Pair* and wait for the pairing code to show up.
3. Use the code to pair any device (up to 32, up to 6 user codes not including the Master code) with the PIMAlink app, to the control panel. The code expires after 10 min. Repeat the steps to produce another code, if you need it in the future.



Other products by Pima



PCP
Panic Pendant and Wrist Watch



SIR-I
Indoor Siren



SM
Smoke Detector



TD-5
Temperature Detector



DCO
Carbon Monoxide Detector



WLD
Water Leakage Detector



REP
Wireless Repeater



P/N: 4410376



Revision C2, XX en (Jul 2016)

Copyright ©2016 PIMA Electronic Systems Ltd.
All rights reserved. E&OE

PIMA Electronic Systems Ltd. **WWW.PIMA-ALARMS.COM**

5 Hatzoref Street, Holon 5885633, ISRAEL

Tel: +972.3.6506414 Fax: +972.3.5500442

Email: support@pima-alarms.com

The Menu Map

